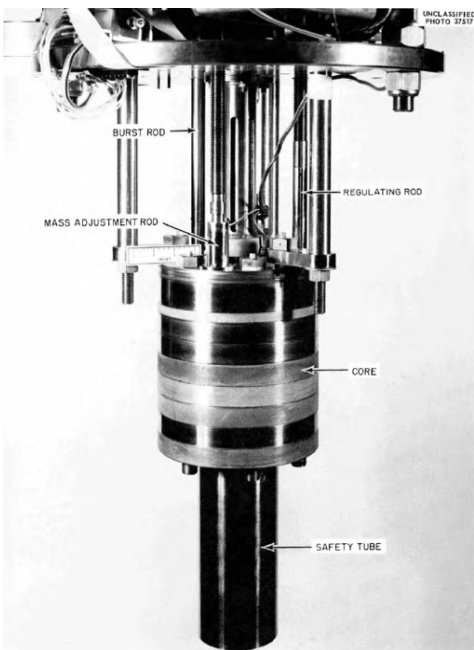
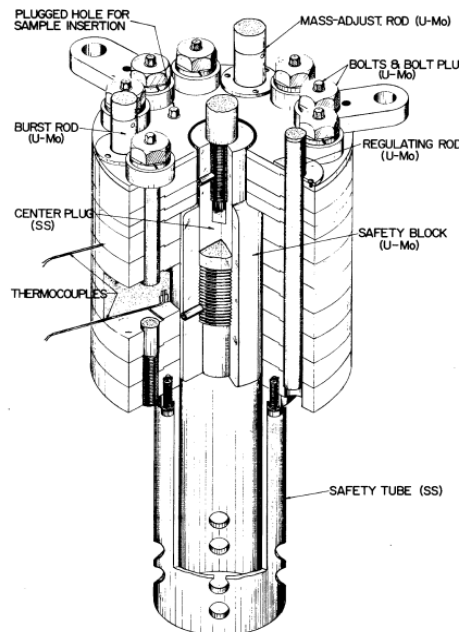


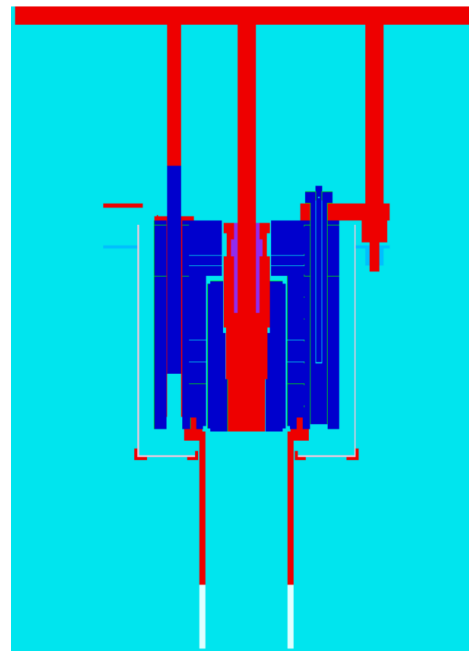
Oak Ridge National Laboratory Health Physics Research Reactor Core



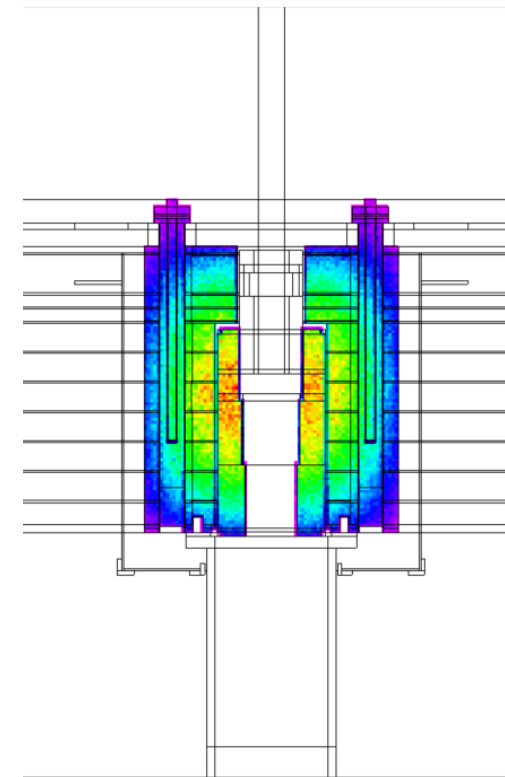
**Photography
(1965)**



**Schematic
(1965)**



**KENO-VI model
(2020)**



**KENO-VI fission map
(2020)**

- **Contributor:** Mathieu Dupont, ORNL, RNSD, Nuclear Data & Criticality Safety Group.
- **Source:** Oak Ridge Health Physics Research Reactor CAAS Benchmark Evaluation (NCSP funded, ORNL IPD5 task). Conference paper RPSD 2020: “Evaluation of Oak Ridge National Laboratory Health Physics Research Reactor Operation Data for Criticality Accident Alarm System Benchmark Creation”