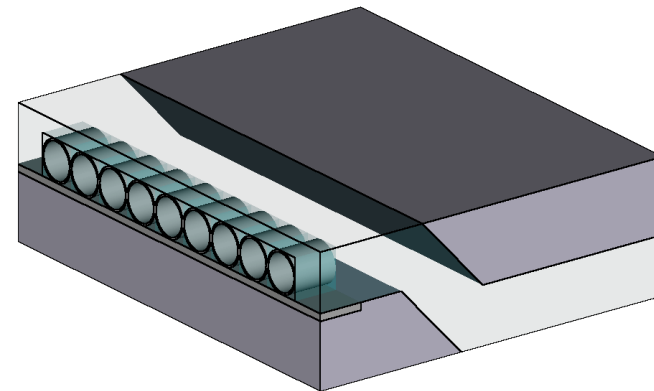
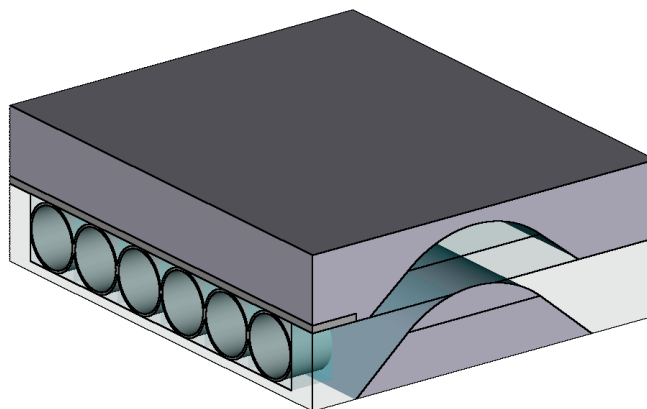
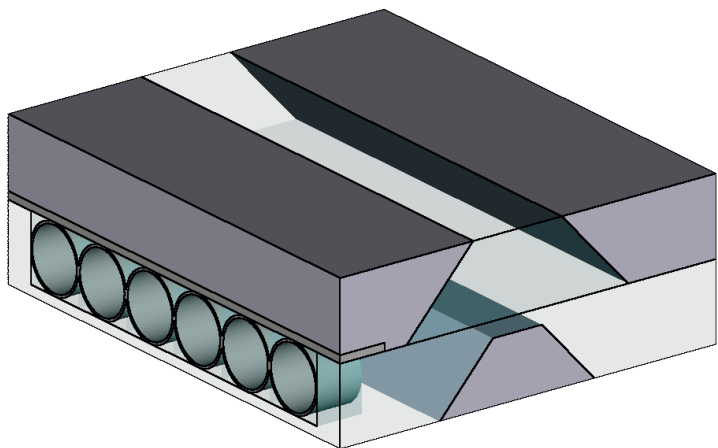
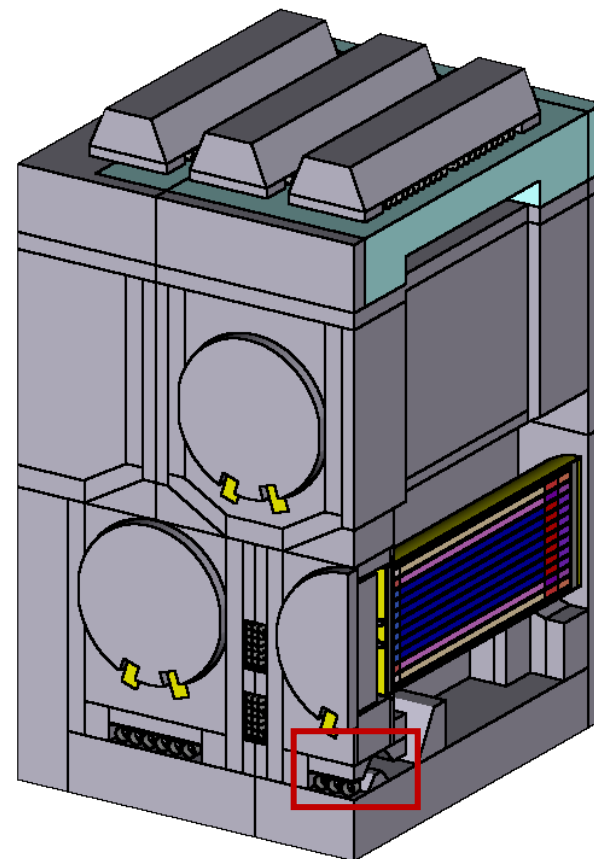
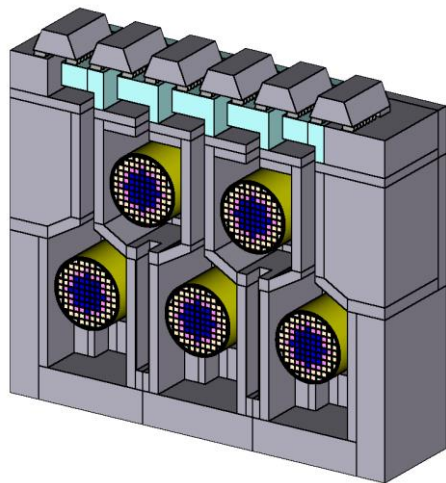
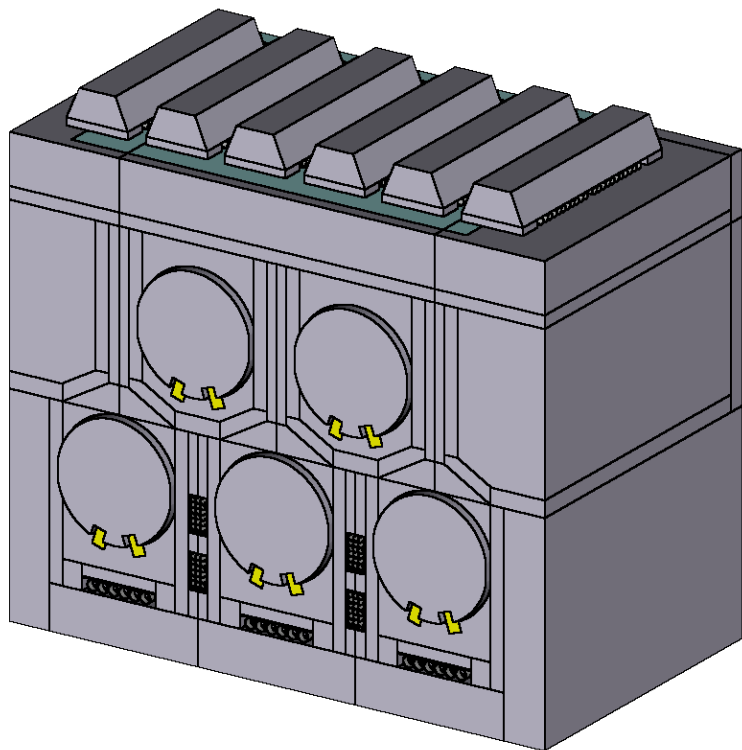


TITLE: MATRIX (OWNER: ORANO TN AMERICAS; APPROVED SPANISH PATENT: ES-2673427\_B2).



AUTHORS: Javier Alonso / Sara Pérez / Jorge Peña

AFFILIATION: **INGECID**

SCALE VERSION: 6.2.3 RENDERING: SCALE 6.3 b11