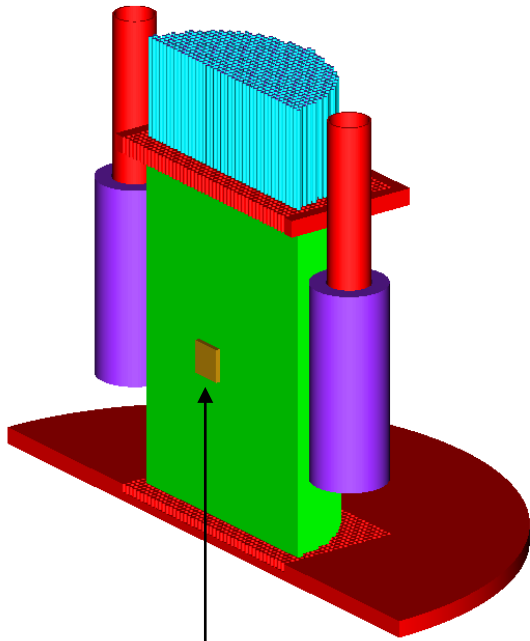


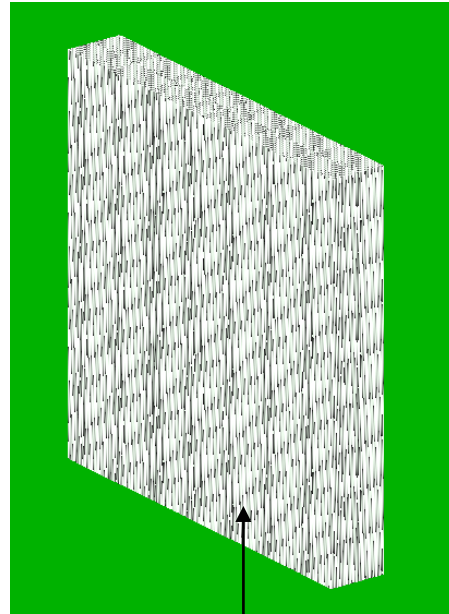
# IER-554: Insertion of a Boralcan plate into a light water critical assembly at Sandia National Laboratories

SPRF/CX  
critical assembly model



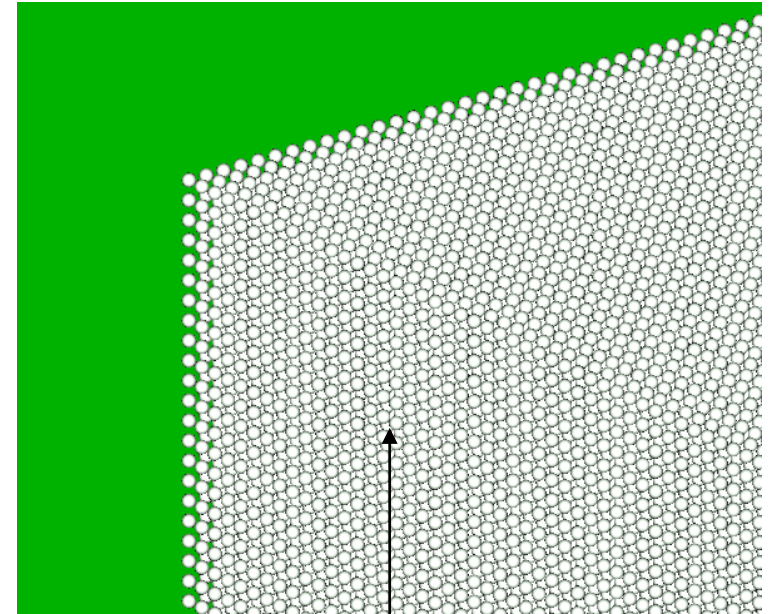
B<sub>4</sub>C plate

B<sub>4</sub>C plate model  
Without Aluminum



20 x 20 x 0.75 cm plate

B<sub>4</sub>C plate model  
zoomed 4000 times



3.41 billion B<sub>4</sub>C spheres

Model created by: Mathieu Dupont (ORNL)

Source: IER-554 CED-1 preliminary design report (NCSP funded).