

Generic 3D SCALE6.2.3 Model for Miniature Neutron Source Reactor

By
Abdulhameed Salawu
Federal University Lokoja, Nigeria

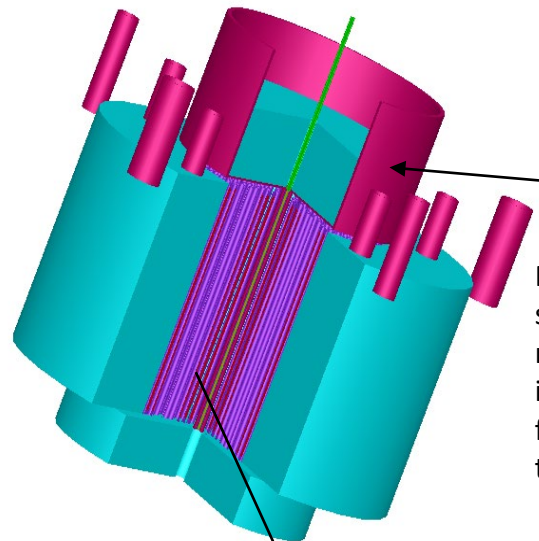


Fig1.0: MNSR core showing the beryllium reflectors, control rod, irradiation channels, the fuel cage, and the shim tray

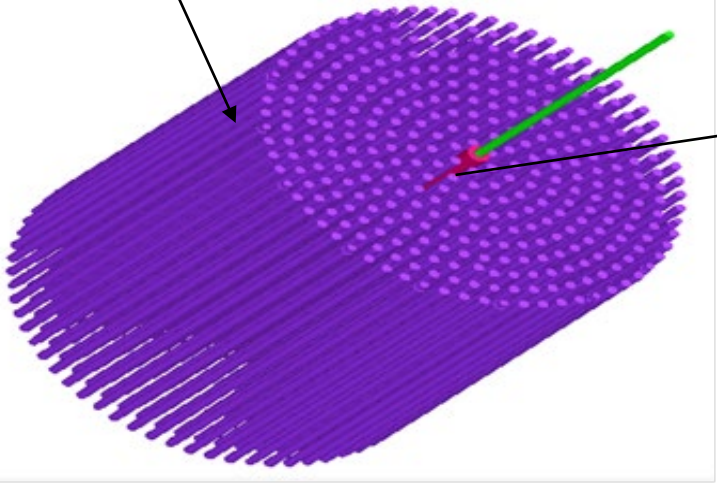


Fig2.0: MNSR fuel cage showing the control rod and its guide tube, and the fuel pins as arranged in the core

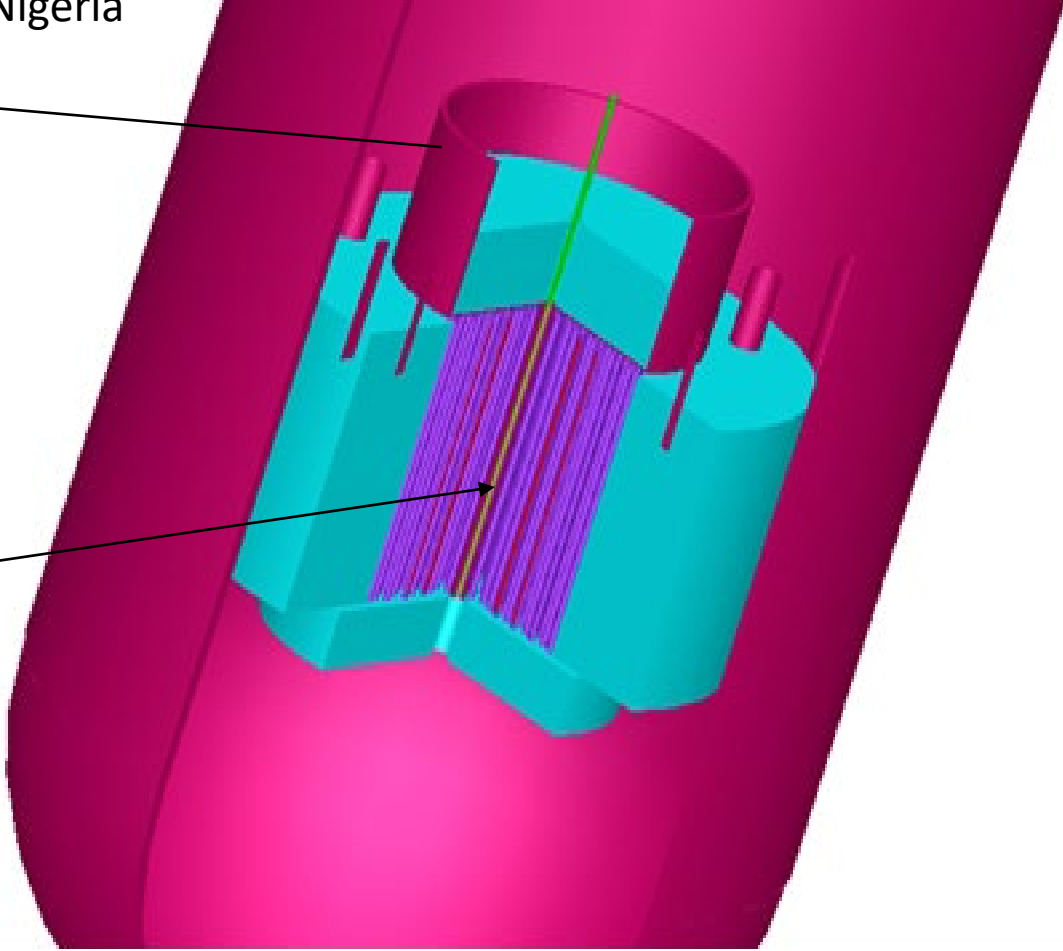


Fig 3.0: 3D model of the generic MNSR showing the entire reactor component as position in the reactor tank