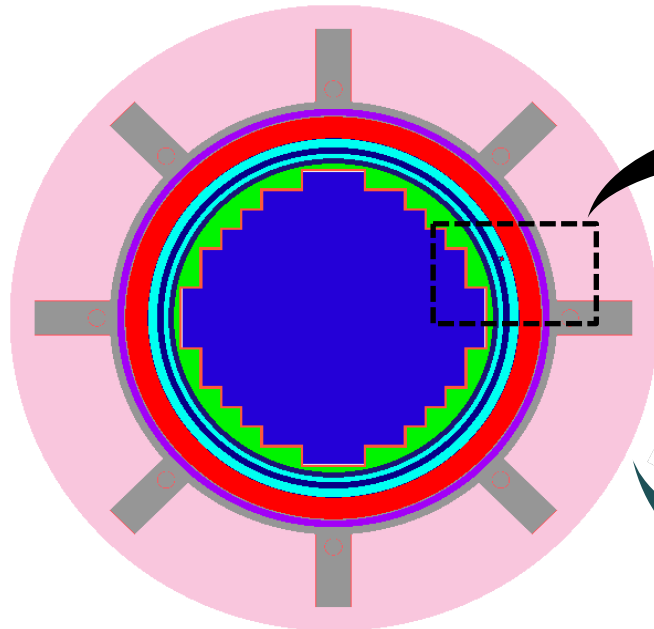
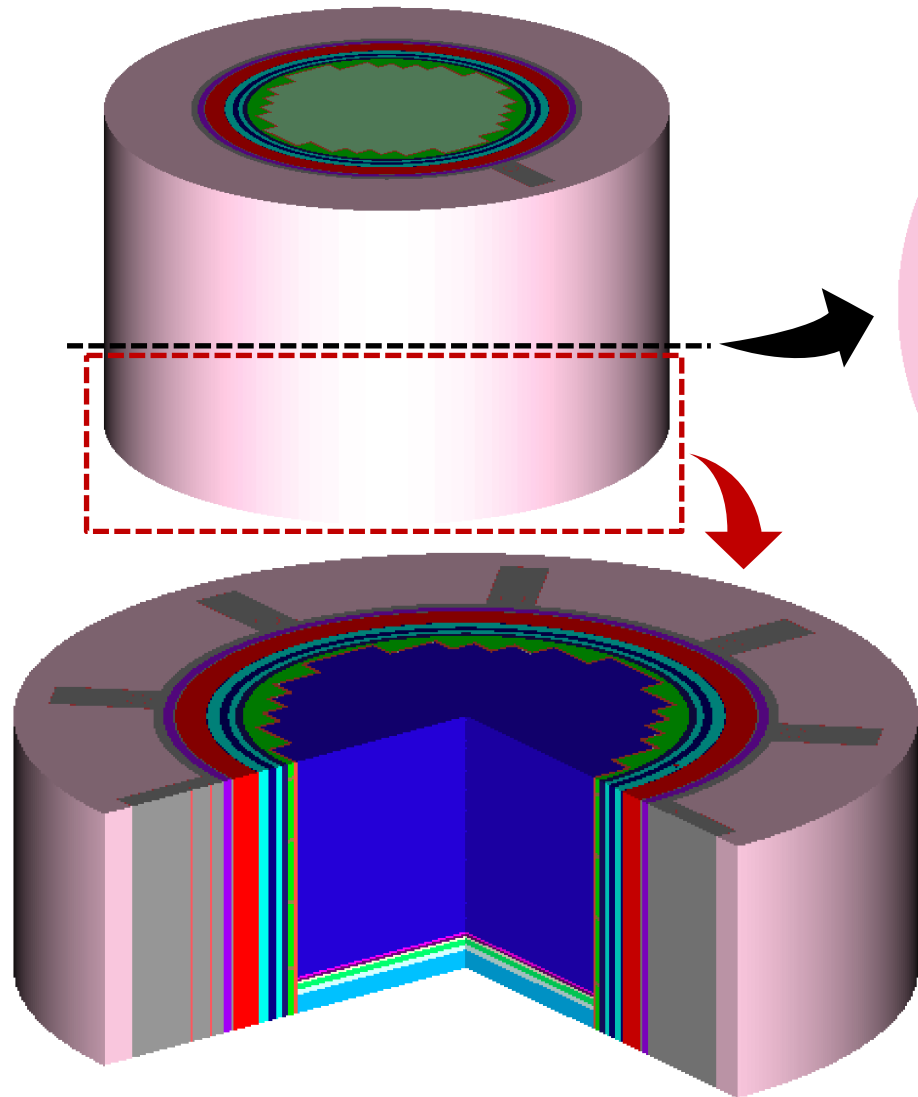
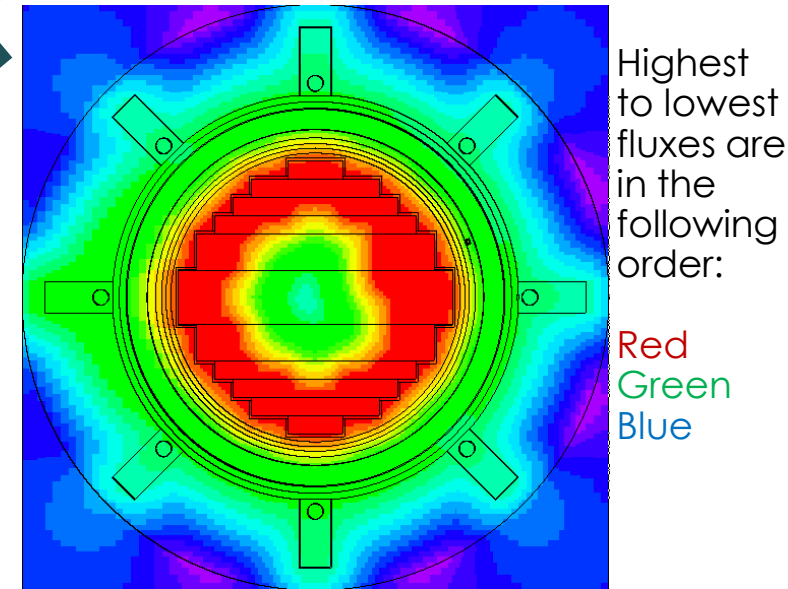
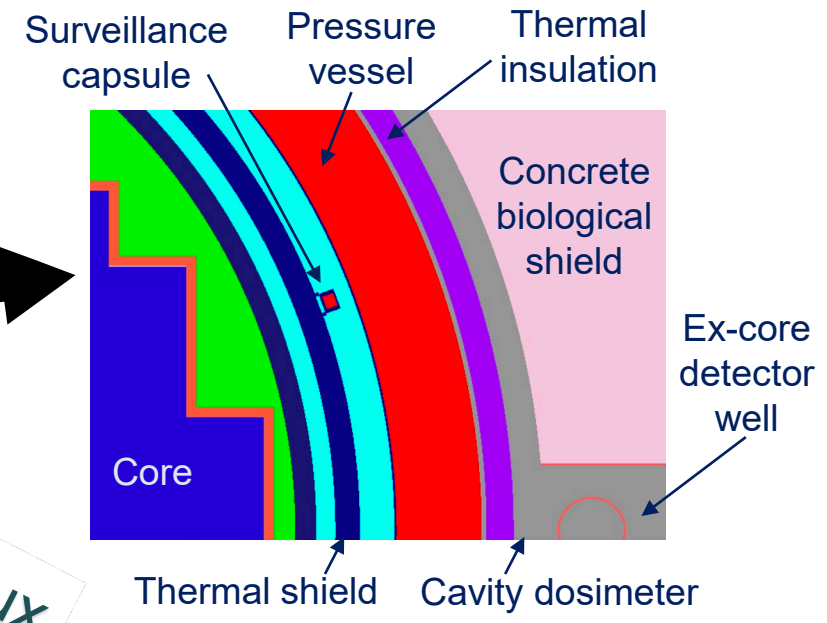


H. B. Robinson Unit 2



SCALE 6.3.0 model created for the **H. B. Robinson Unit 2 Cycle 9 pressure vessel benchmark** to evaluate surveillance capsule (in-vessel) and cavity (ex-vessel) dosimetry for the qualification of methodology in calculating pressure vessel neutron fluences



SCALE 6.3.0 model developed by **Arzu Alpan**